

Conductive LEVEL SWITCH

MATSUSHIMA Conductive Level Switch is a reliable point level switch by the principle of weak current conduction, which applies weak current on electrode and detect the level when material touch with the electrode.

- Failure-less system as there is no rotation or sliding portion
- Compact body applicable to plugged chute detection at small size chute
- No malfunction by rebound of filling material

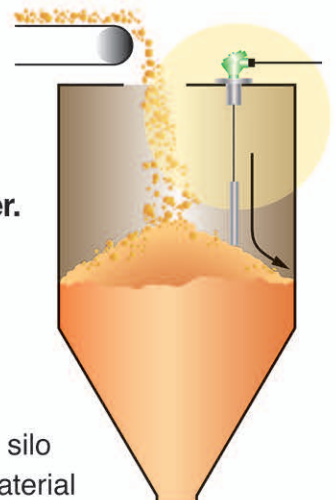


Features

- The Insulation hood prevents erroneous operation caused by clinging with dust.
- The Level Switch protects itself against noise with a built-in timer.
- The simple structure enable an excellent user-friendliness.
- The DETECTOR is strong, and long life.

Various Applications

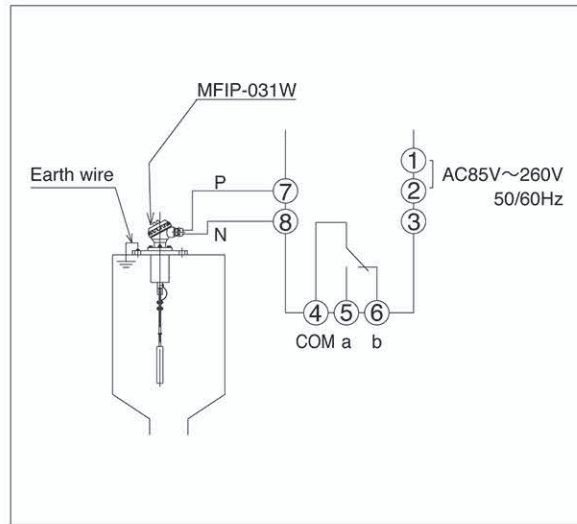
- Clinker Silo ■ Coal / coke silo ■ Gravel / sand silo ■ Ore silo ■ Cement silo
- Aggregate bin ■ Tripper piling silo / hopper ■ Stacker Reclaimer piling material



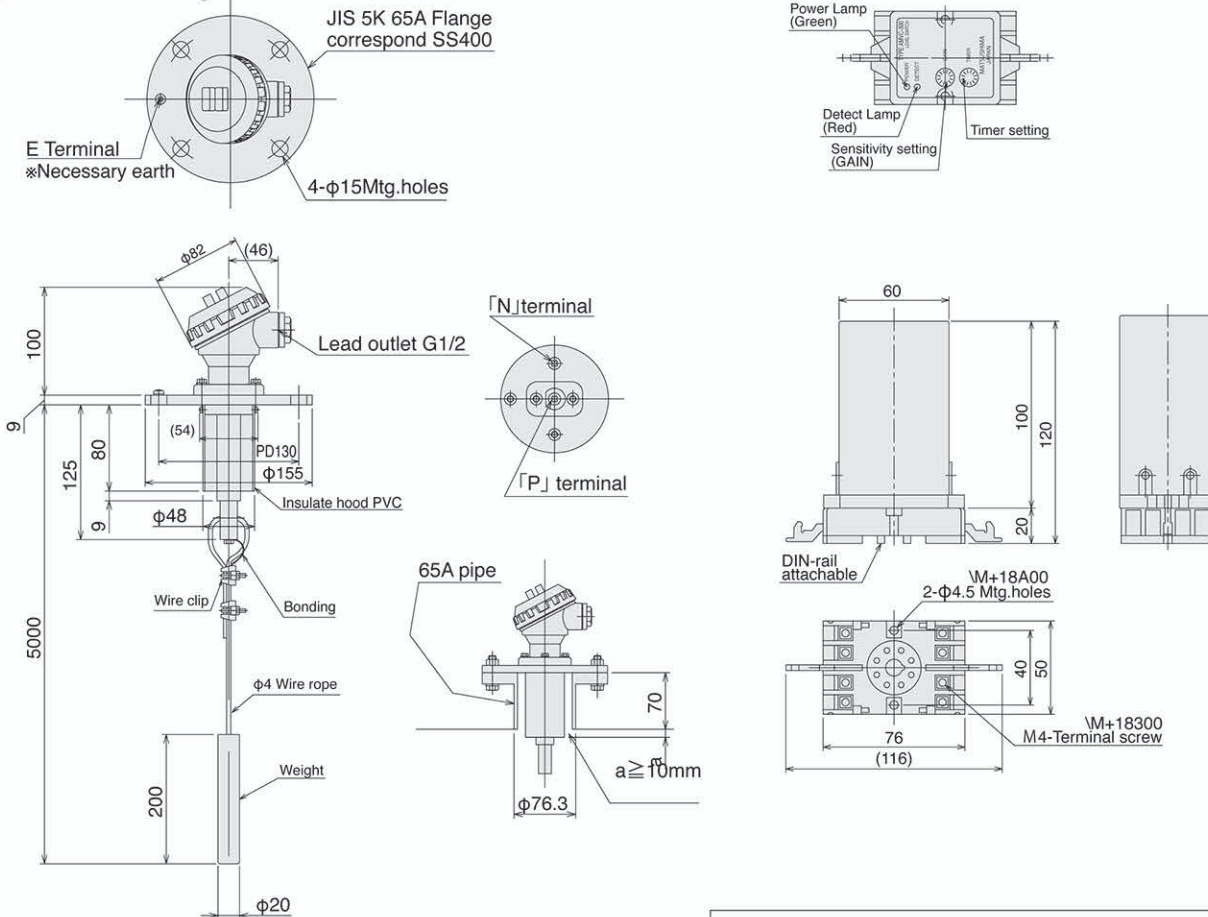
Specifications

Type	Detector MF IP-031W, Transducer AMVC-300
Probe length	Max.5m (adjustable)
Power source	AC85~260V 50 / 60Hz
Contacts	1 NONC for level detection
Contact capacity	250V AC 2A
Indicating lamps	Power lamp Detecting lamp
Sensitivity	0.05MΩ~10MΩ (Between detector and earth)
Timer	1to10sec
Temperature	Detector -20 ~ +60°C Transducer 0 ~ +40°C
Protection	Detector IP67, Transducer IP20
Weight	Detector 6kg, Transducer 0.4kg

Connection diagram



Dimension diagram



Specifications are subject to change without notice.
All Rights Reserved Copyrights©2017, Matsushima Measuretech Co., Ltd.



Caution
 • Read the instructions to ensure correct and suitable application of products.
 • Contact our nearest sales office when using our products for any systems used in situations which may be life threatening.

Distributor



Matsushima Measure Tech Co., Ltd.

HEAD OFFICE
 1-8-18, NORIMATSU-HIGASHI, YAHATANISHI-KU, KITAKYUSHU, 807-0837 JAPAN
 Tel: +81-93-691-3731 FAX: +81-93-691-3735
 http://www.matsushima-m-tech.com E-mail: info@matsushima-m-tech.com

Pohang Representative Office
 Odyssey Bldg. 1F, 41, Jukdo-ro 28beon-gil, Buk-gu, Pohang-si, Gyeongsangbuk-do, 791-841, Korea
 Tel: +82-(0)54-274-3731 FAX: +82-(0)54-274-3731

Affiliated company
 Shanghai Dahong Matsushima Machinery Co., Ltd.
 70 Hengcang Road, Dahong, Malu, Jiading, Shanghai 201818, China
 Tel: +86-(0)21-5951-4138 FAX: +86-(0)21-5951-4139